

---

## GROUP 70

# COMPONENT LOCATIONS

### CONTENTS

SENSOR.....	70-2	INSPECTION CONNECTOR AND SPARE CONNECTOR .....	70-13
DIODE .....	70-8	SOLENOID VALVE.....	70-14
ECU .....	70-9	EARTH .....	70-16
FUSIBLE LINK AND FUSE .....	70-11	EARTH CABLE.....	70-18
RELAY .....	70-12		

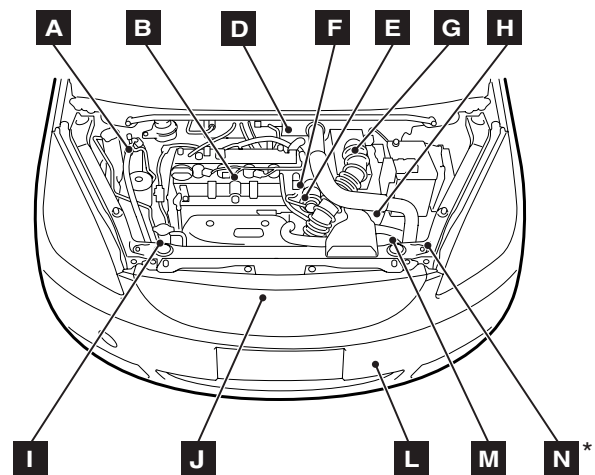
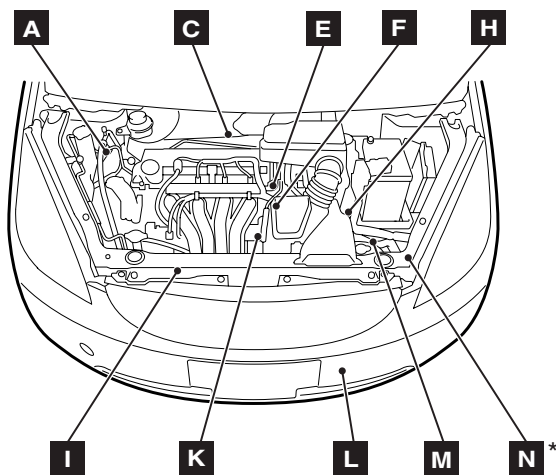
## SENSOR

M1701000601151

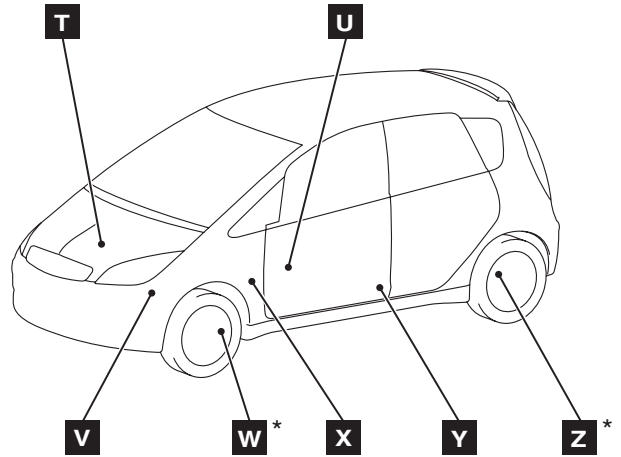
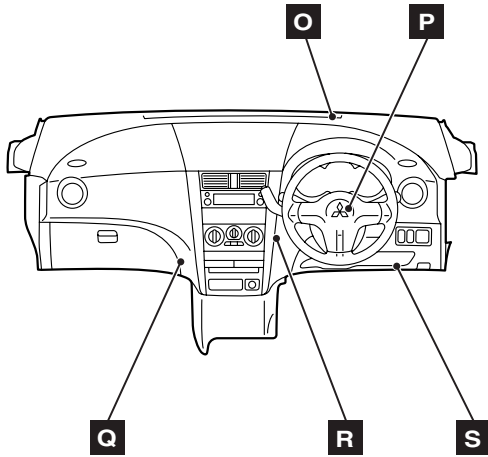
Name	Symbol	Name	Symbol
A/C pressure sensor	A	Interior temperature sensor <Automatic A/C>	R
Accelerator pedal position sensor	S	Line pressure sensor <CVT>	H
Air flow sensor (incorporating intake air temperature sensor) <4G15>	G	Manifold absolute pressure sensor <4A91>	K
Air thermo sensor	Q	Oxygen sensor (front)	C, J
Ambient temperature sensor	L	Oxygen sensor (rear)	X
Camshaft position sensor	F	Photo sensor <Automatic A/C>	O
Crank angle sensor	I	Primary pressure sensor <CVT>	V
CVT control solenoid valve (incorporating CVT fluid temperature sensor)	M	Primary speed sensor <CVT>	H
Detonation sensor	B, I	Rear wheel speed sensor	Z
Electronic control throttle valve (incorporating throttle position sensor)	D, K	Secondary speed sensor <CVT>	H
Engine coolant temperature sensor	E	Side impact sensor	Y
Front impact sensor	N	Steering wheel sensor <ASC>	P
G and yaw rate sensor <ASC>	U	Torque sensor (for EPS)	T
Front wheel speed sensor	W	Turbine speed sensor <CVT>	H

&lt;4A91&gt;

&lt;4G15&gt;

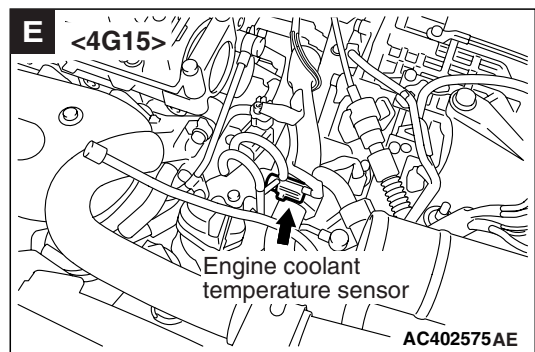
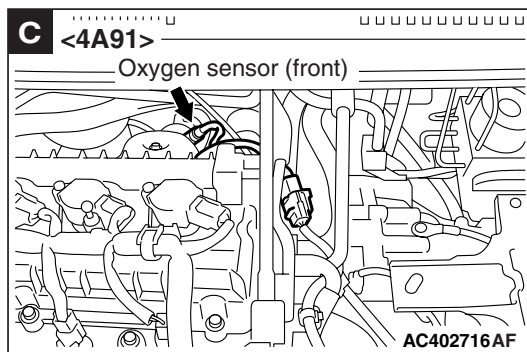
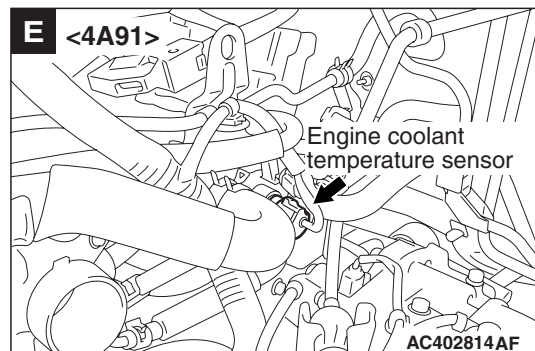
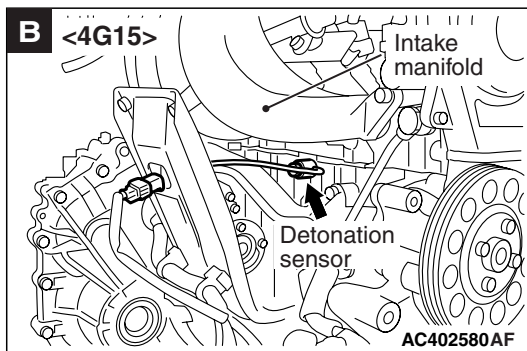
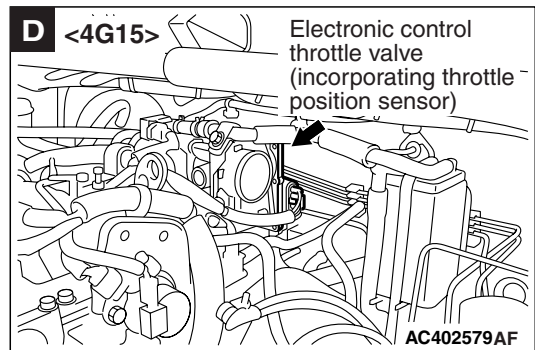
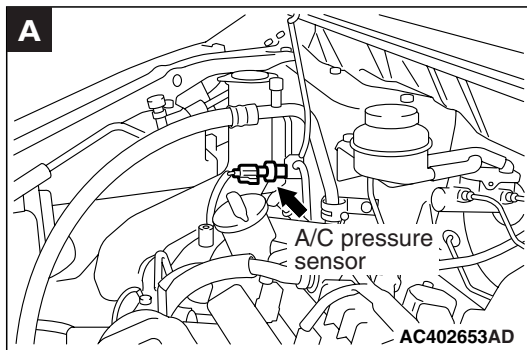


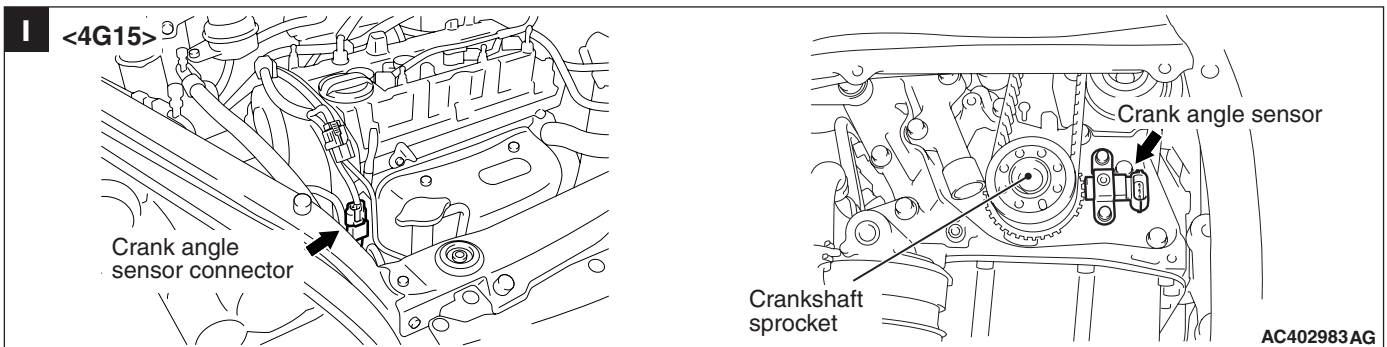
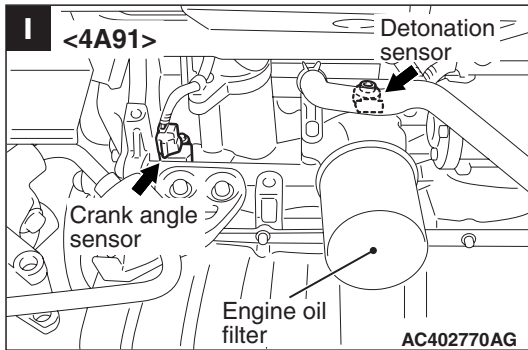
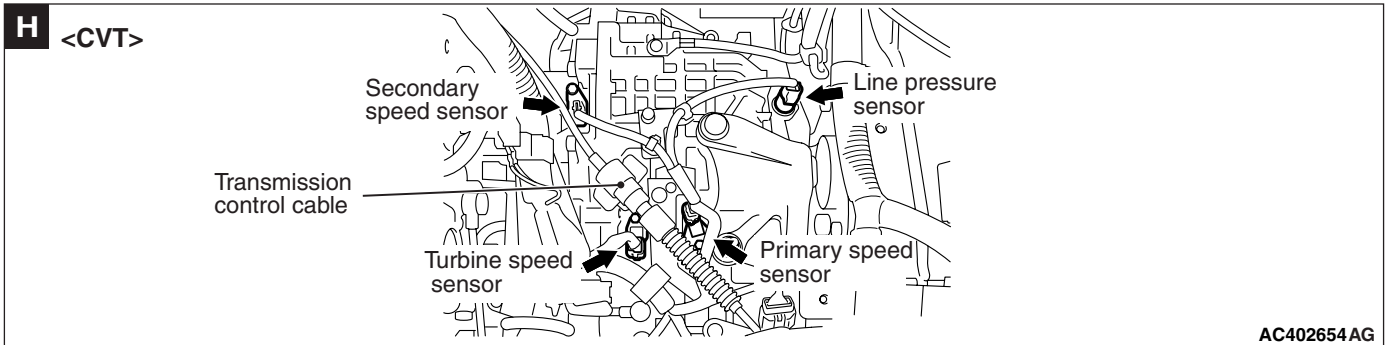
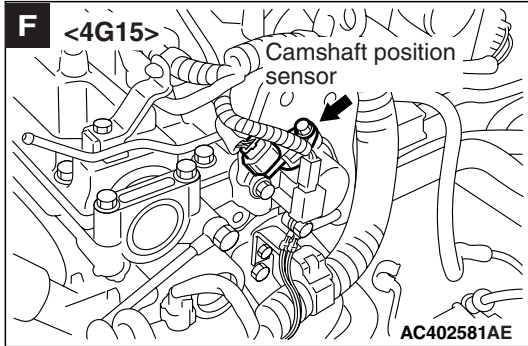
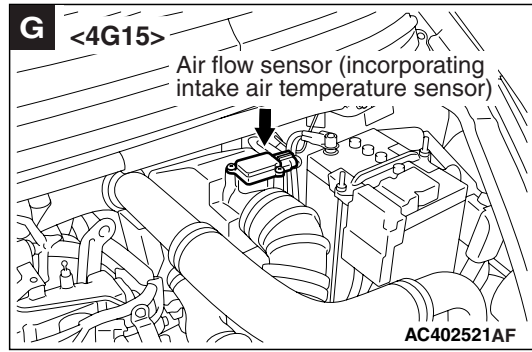
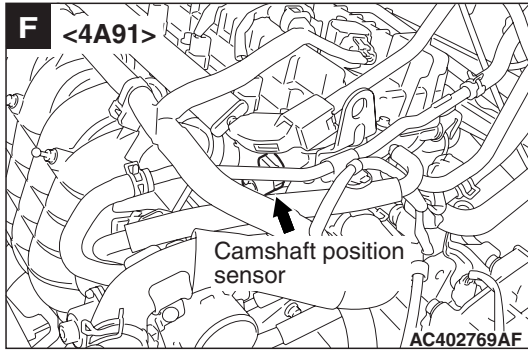
AC402858AK

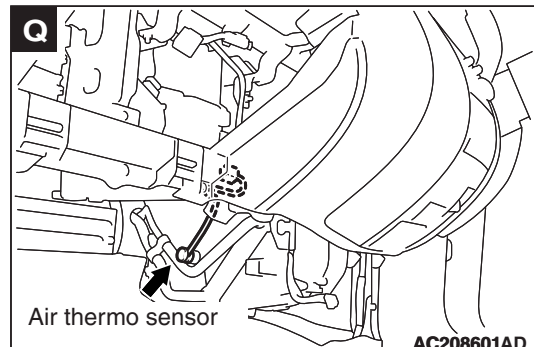
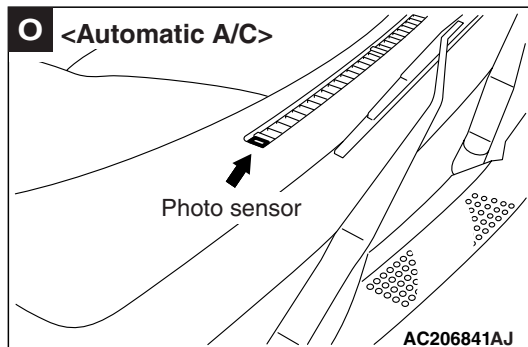
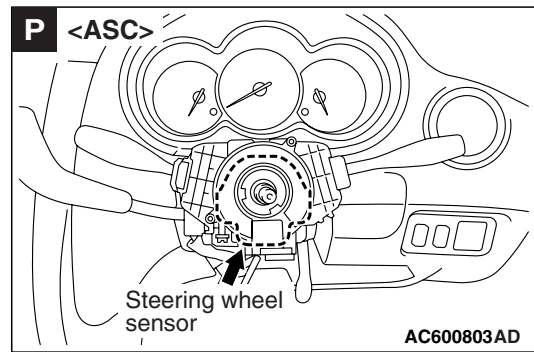
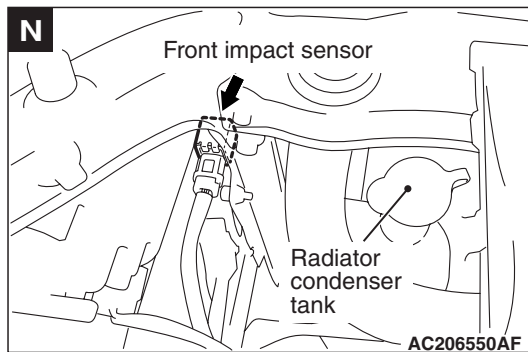
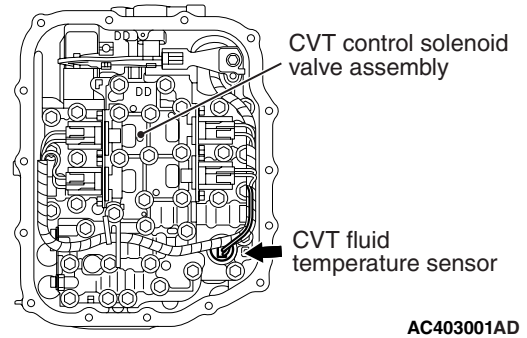
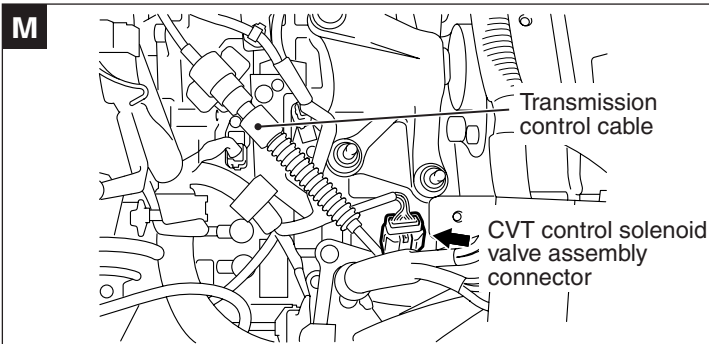
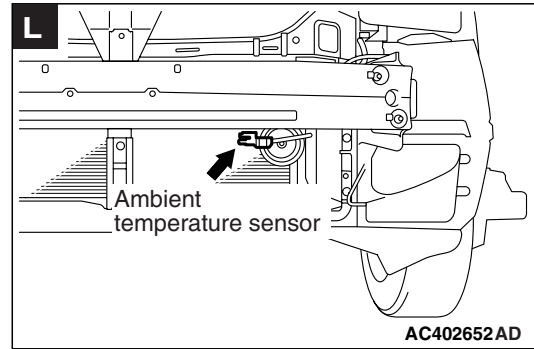
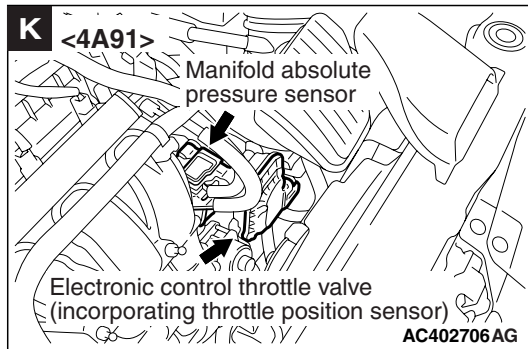
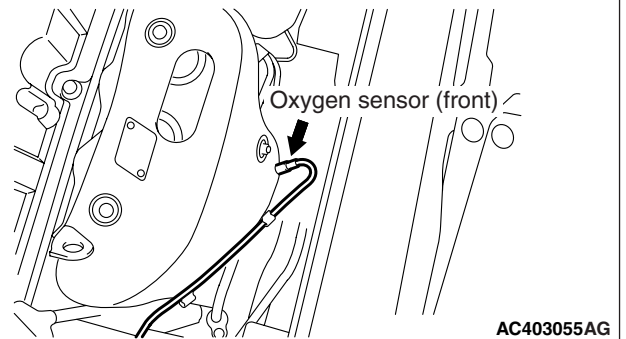
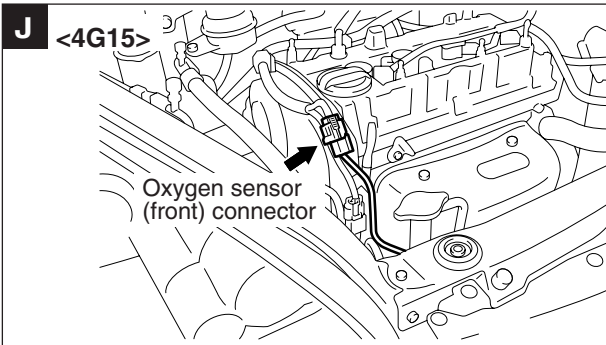


AC600962 AB

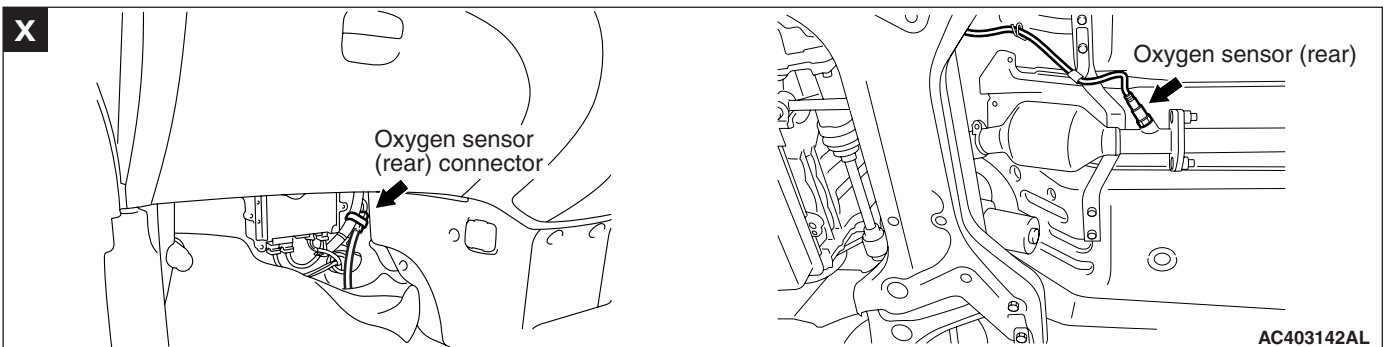
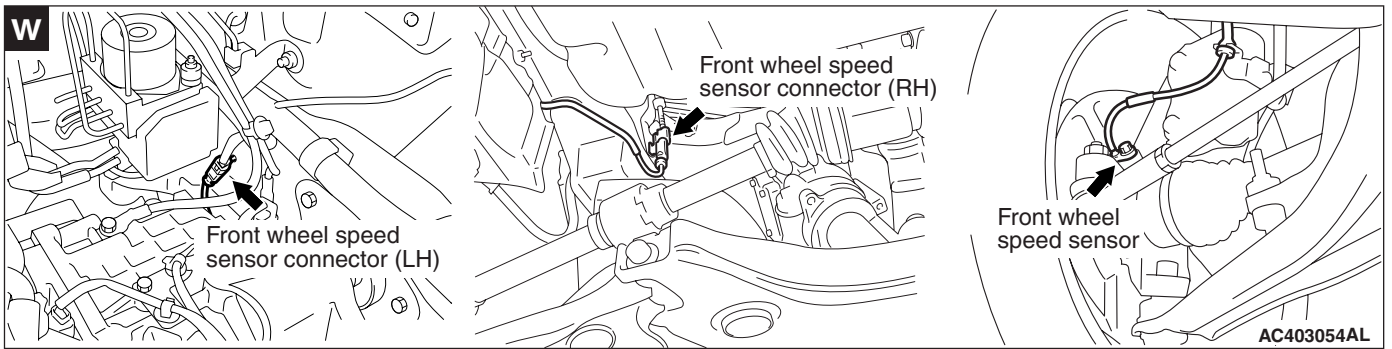
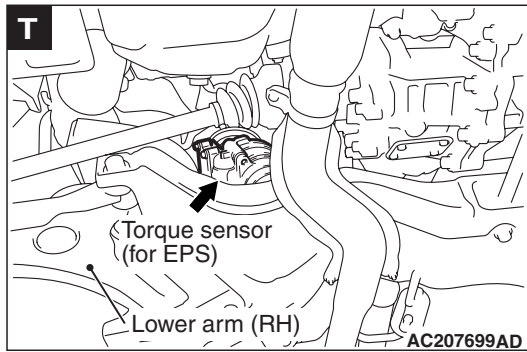
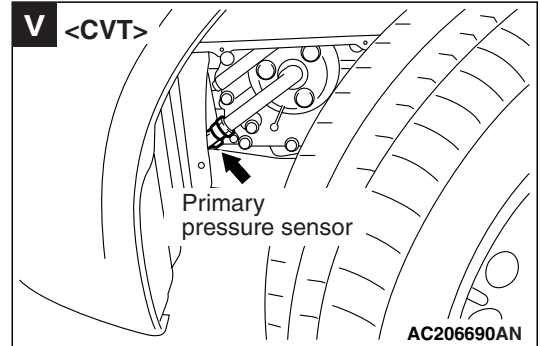
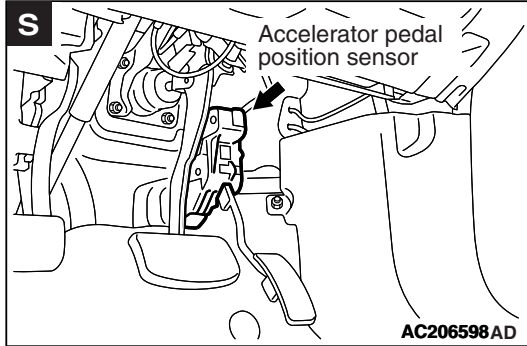
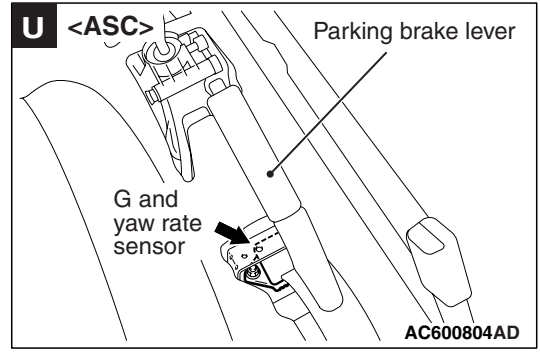
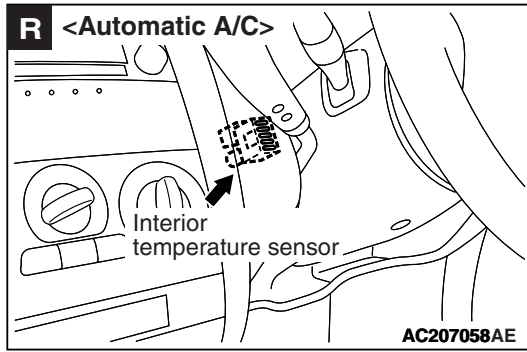
NOTE: \*:also equipped at the right side.

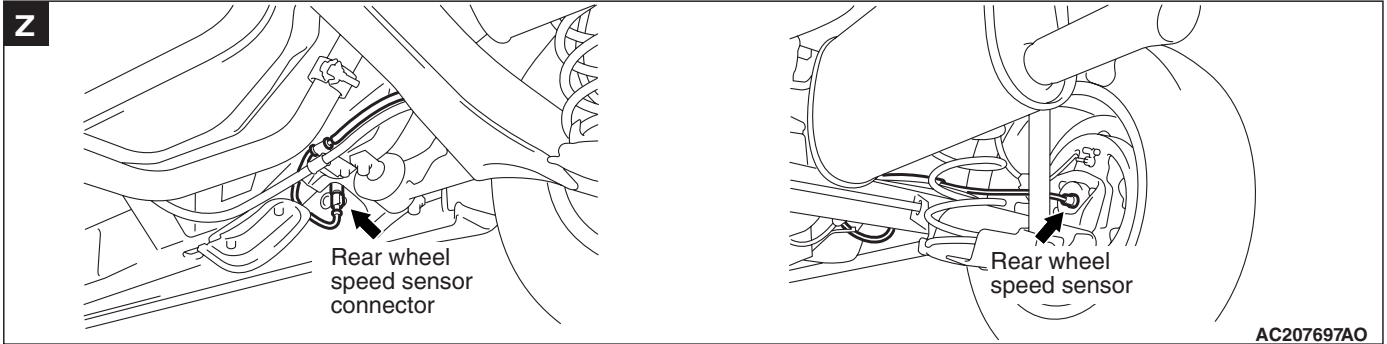
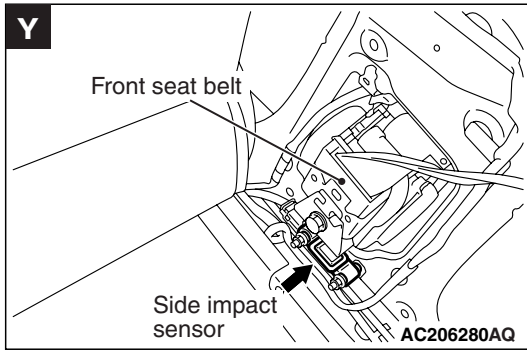






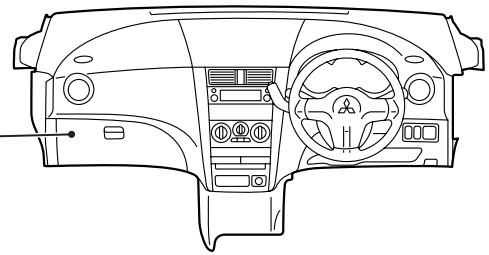
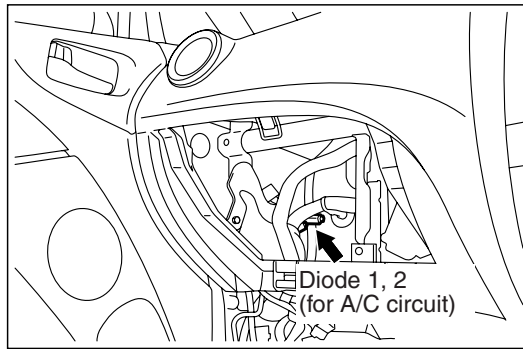






# DIODE

M1701000900278



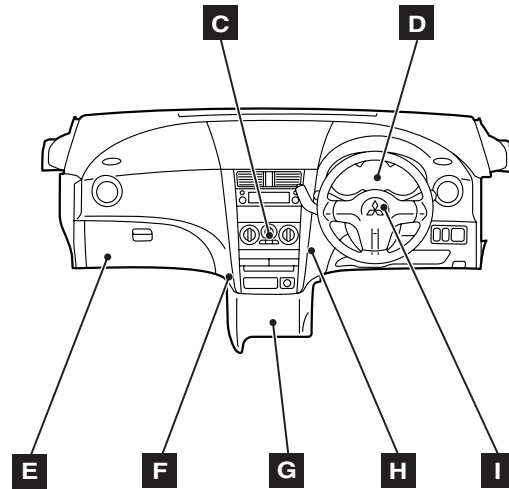
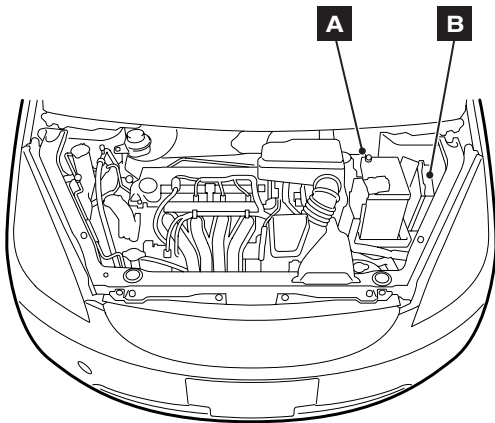
AC208775AC



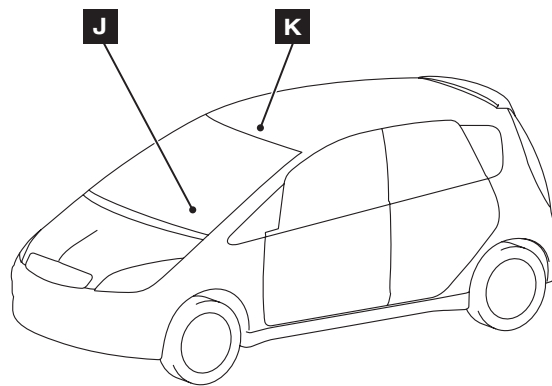
ECU

M1701000500515

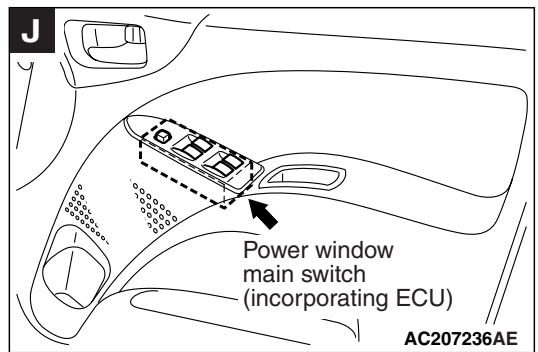
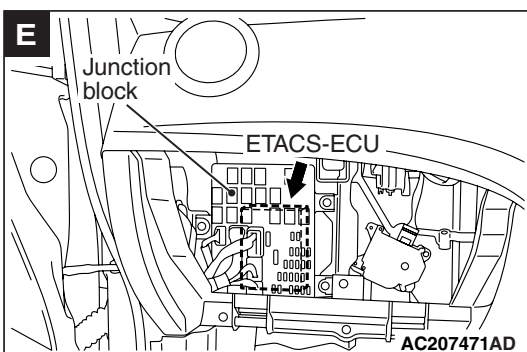
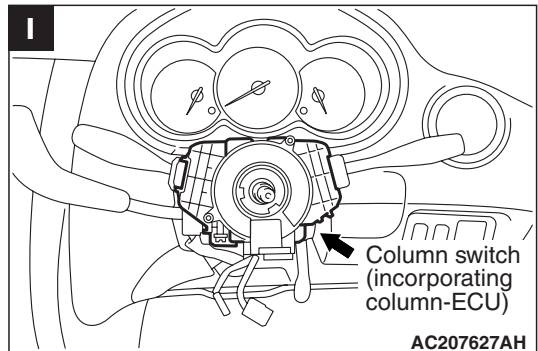
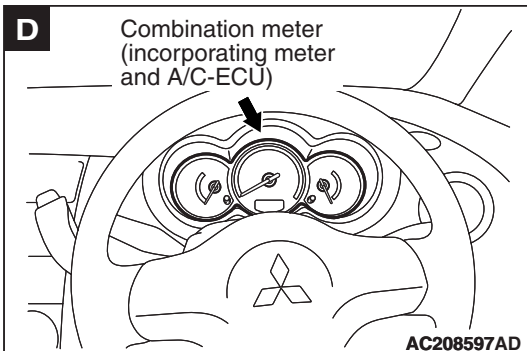
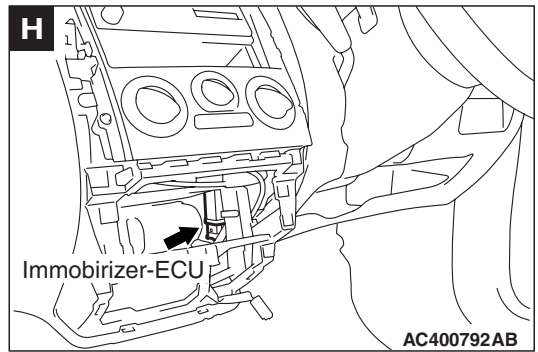
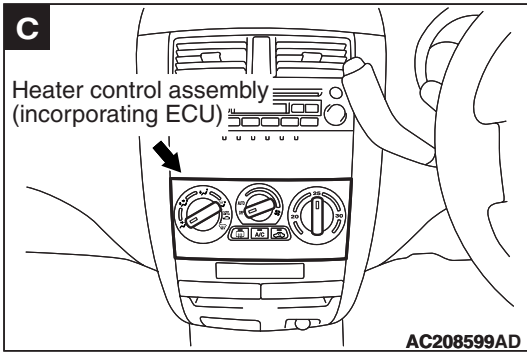
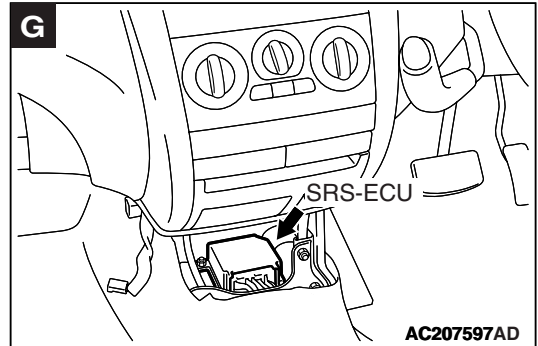
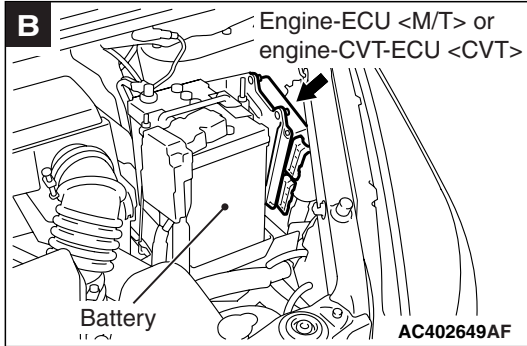
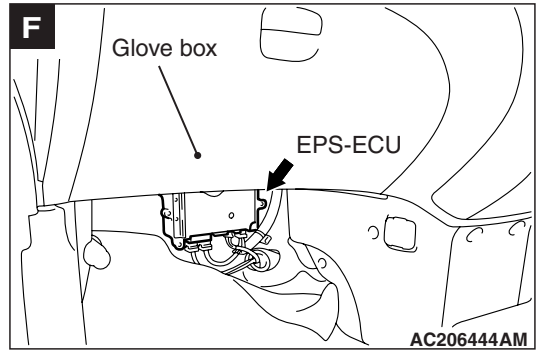
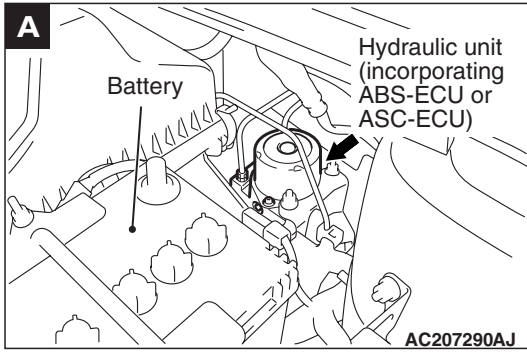
Name	Symbol	Name	Symbol
Column switch (incorporating column-ECU)	I	Hydraulic unit (incorporating ABS-ECU)	A
Combination meter (incorporating meter and A/C-ECU)	D	Hydraulic unit (incorporating ASC-ECU)	A
Engine-CVT-ECU <CVT>	B	Immobilizer-ECU	H
Engine-ECU <M/T>	B	Power window main switch (incorporating ECU)	J
ETACS-ECU	E		
EPS-ECU	F	SRS-ECU	G
Heater control assembly (incorporating ECU)	C	Sunroof motor assembly (incorporating ECU)	K

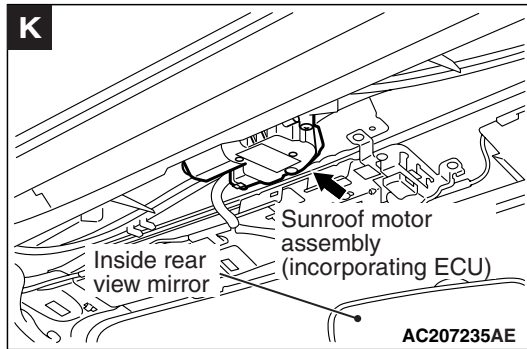


AC507335AD



AC507350AC

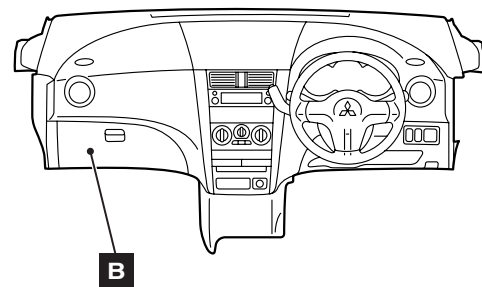
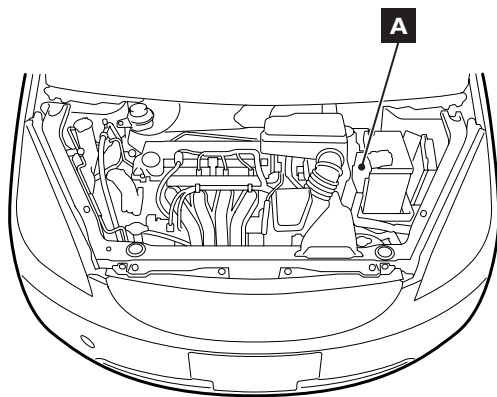




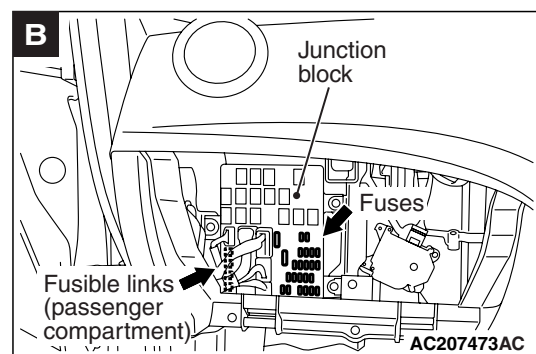
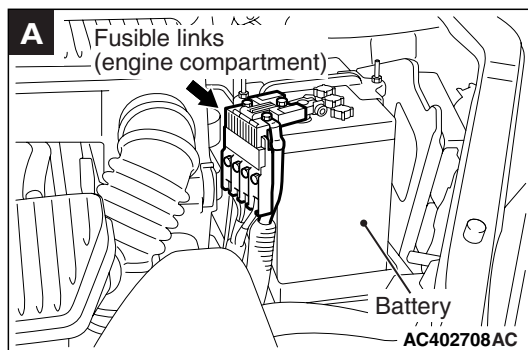
## FUSIBLE LINK AND FUSE

M1701000100799

Name	Symbol	Name	Symbol
Fuses	B	Fusible links (passenger compartment)	B
Fusible links (engine compartment)	A		

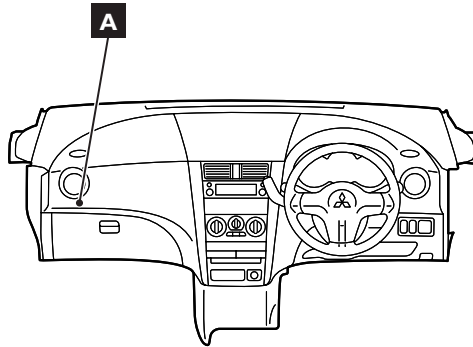


AC402864AG

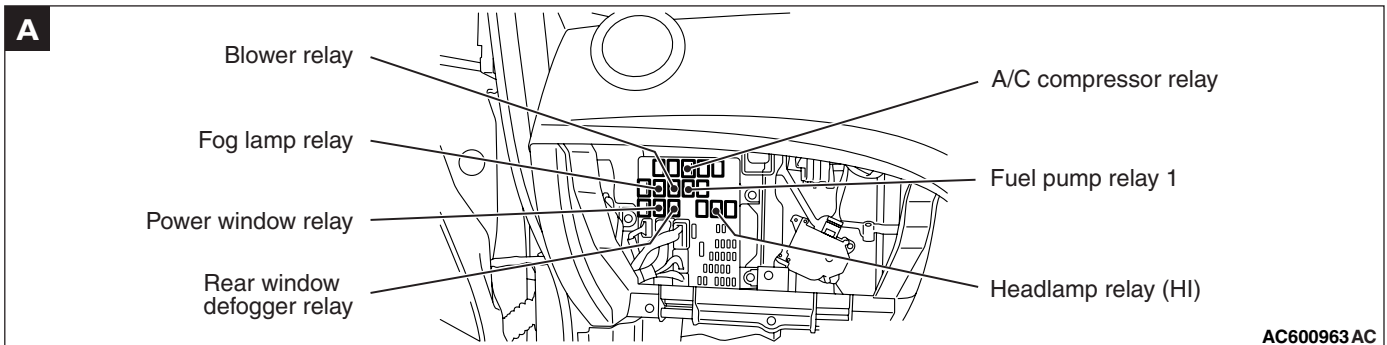
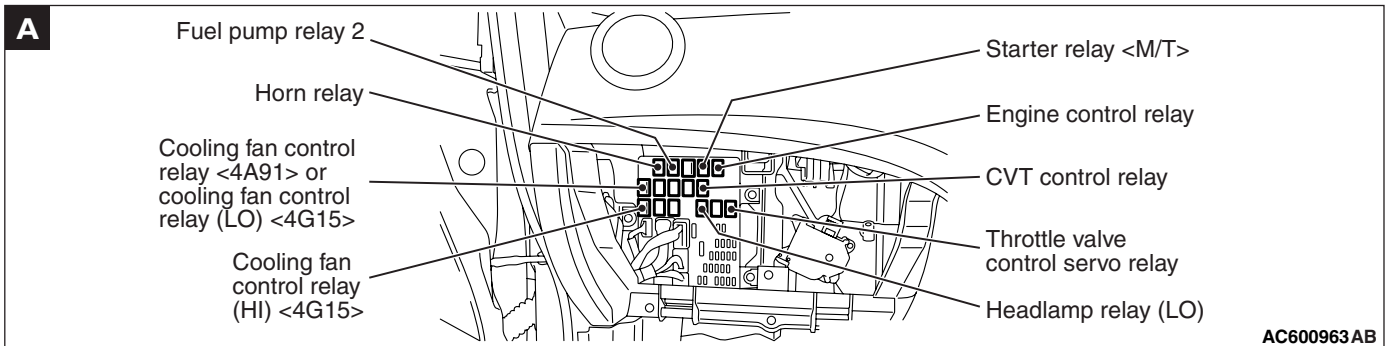


RELAY

Name	Symbol	Name	Symbol
A/C compressor relay	A	Fuel pump relay 2	A
Blower relay	A	Headlamp relay (HI)	A
Cooling fan control relay <4A91>	A	Headlamp relay (LO)	A
Cooling fan control relay (HI) <4G15>	A	Horn relay	A
Cooling fan control relay (LO) <4G15>	A	Power window relay	A
CVT control relay	A	Rear window defogger relay	A
Engine control relay	A	Starter relay <M/T>	A
Fog lamp relay	A	Throttle valve control servo relay	A
Fuel pump relay 1	A		



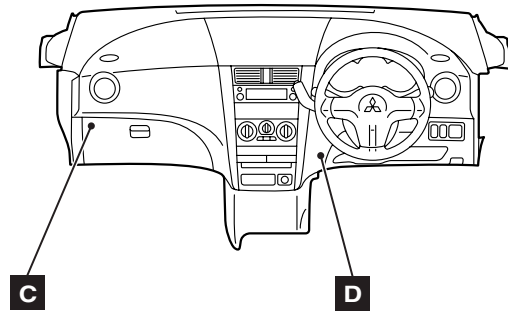
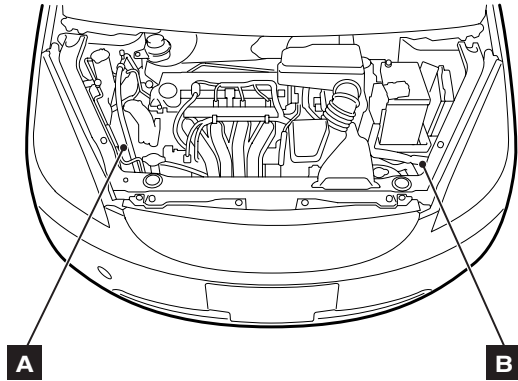
AC208575AC



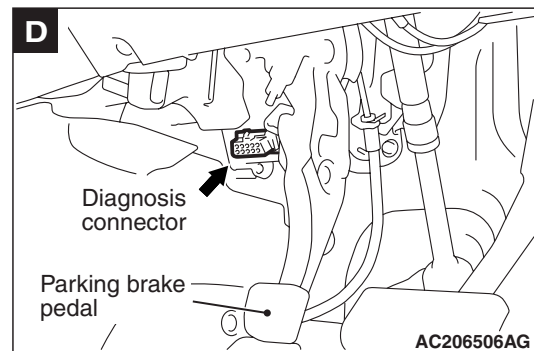
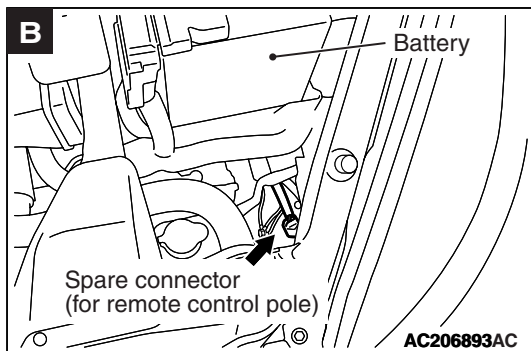
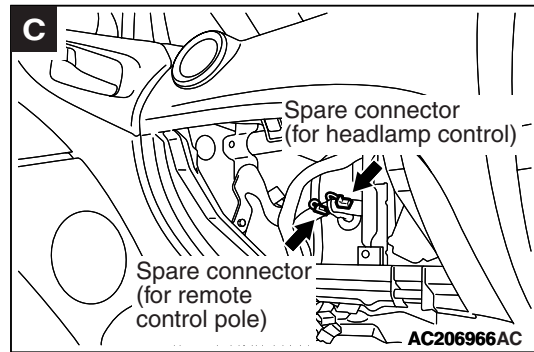
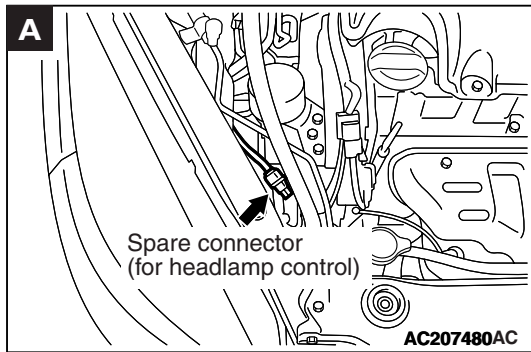
M1701000200699

# INSPECTION CONNECTOR AND SPARE CONNECTOR

Name	Symbol	Name	Symbol
Diagnosis connector	D	Spare connector (for remote control pole)	B, C
Spare connector (for headlamp control)	A, C		



AC402864AH

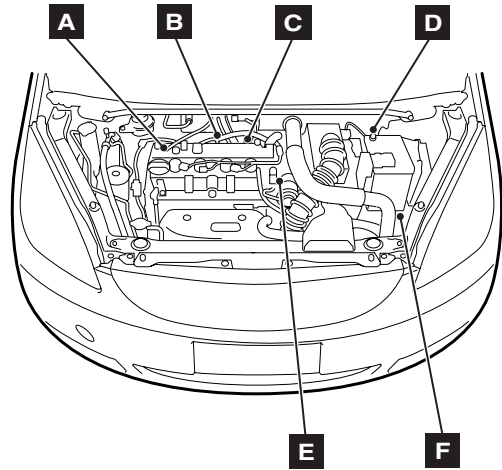
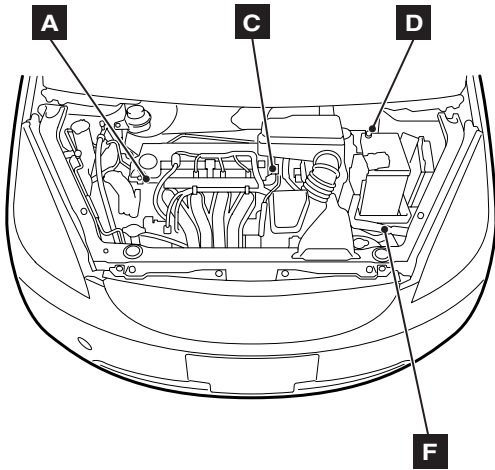


# SOLENOID VALVE

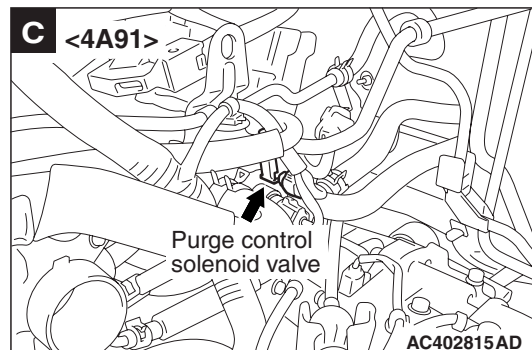
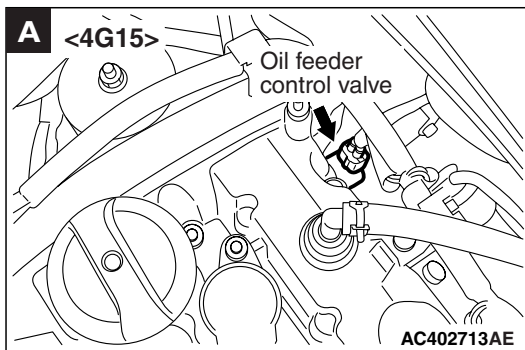
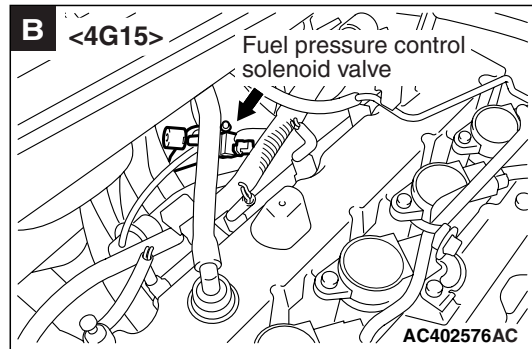
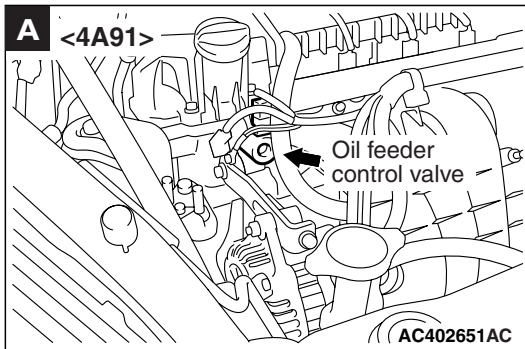
Name	Symbol	Name	Symbol
CVT control solenoid valve assembly	F	Oil feeder control valve	A
Fuel pressure control solenoid valve <4G15>	B	Purge control solenoid valve	C
Hydraulic unit (incorporating solenoid valve)	D	Wastegate solenoid valve <4G15>	E

<4A91>

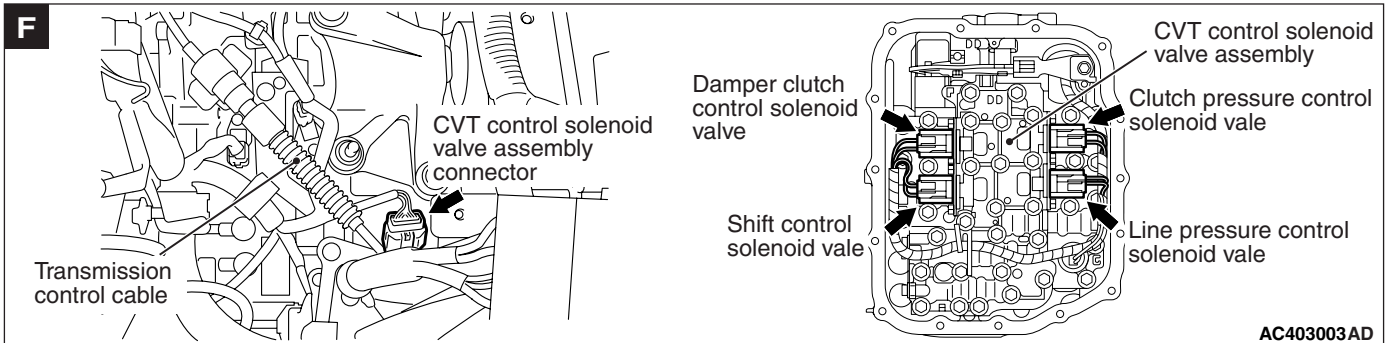
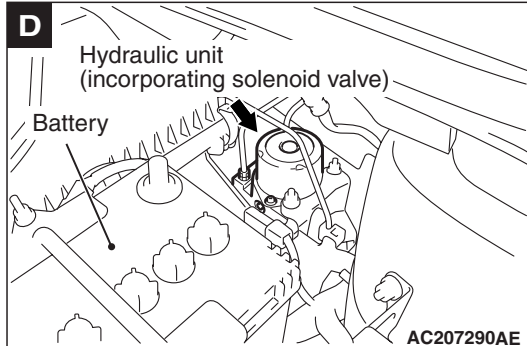
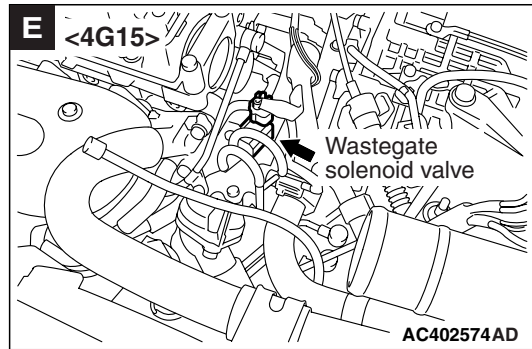
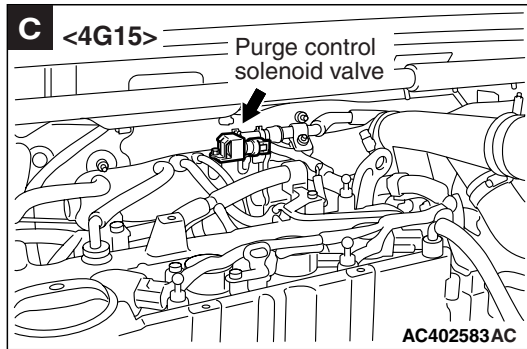
<4G15>



AC402858AJ



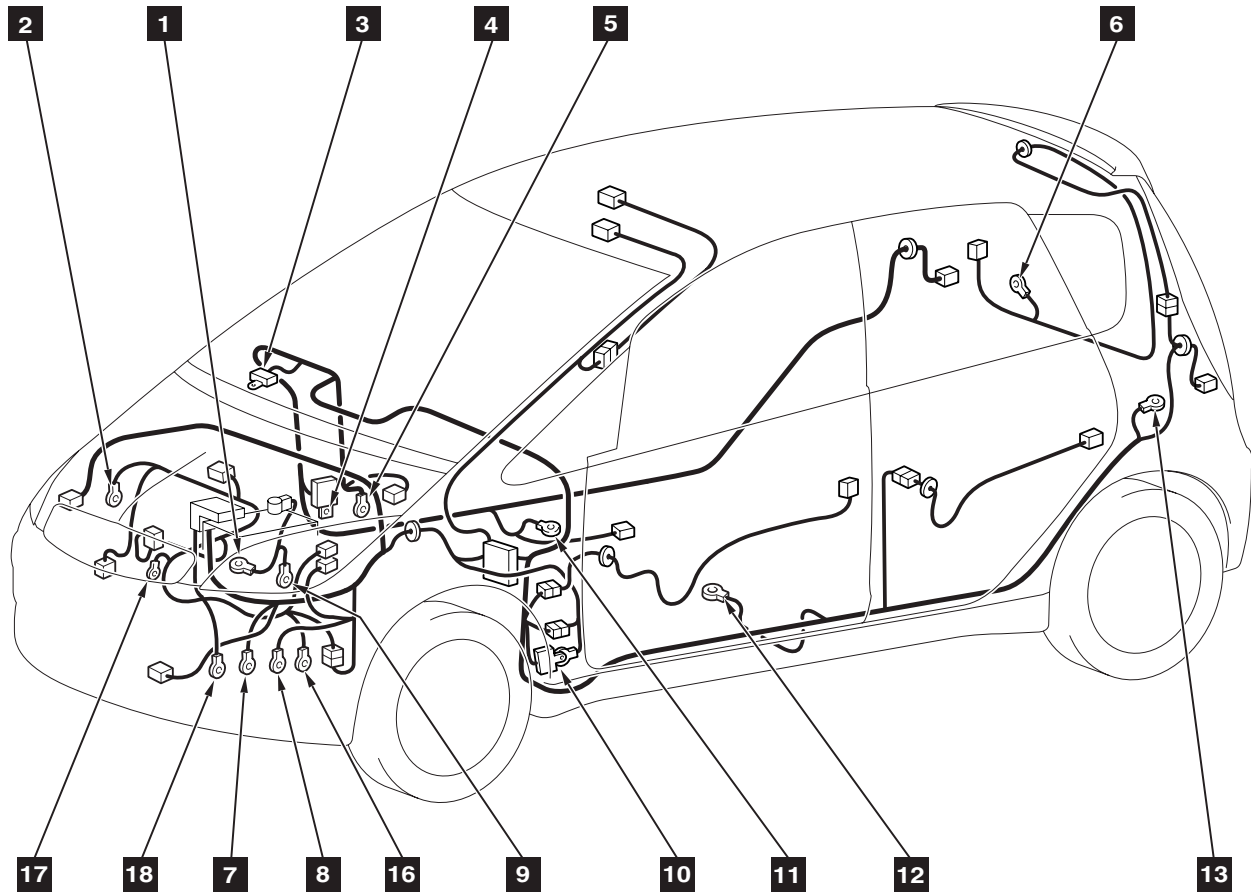






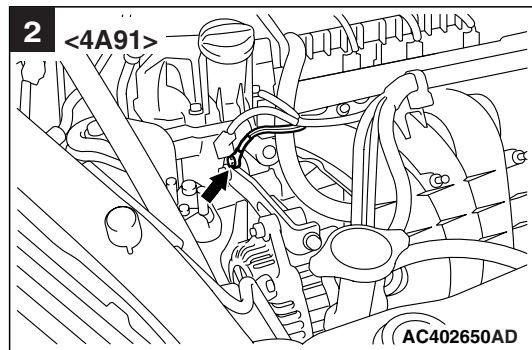
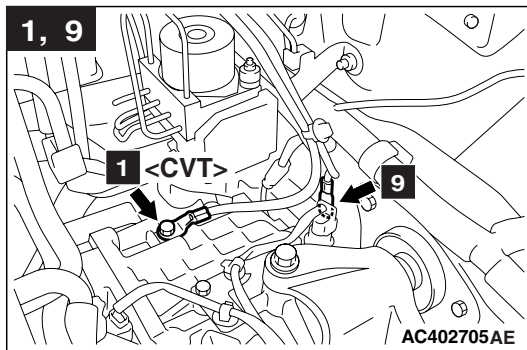
EARTH

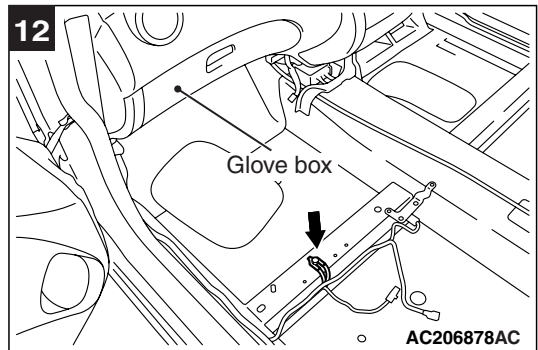
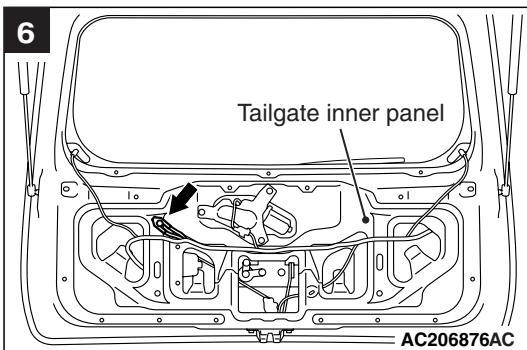
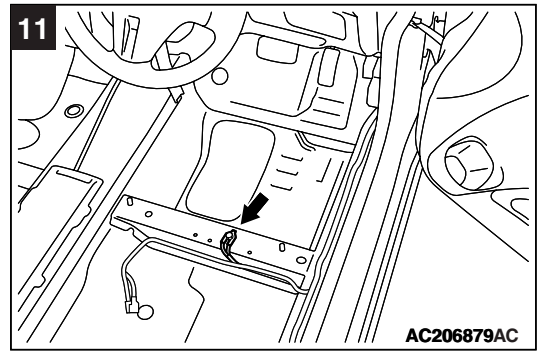
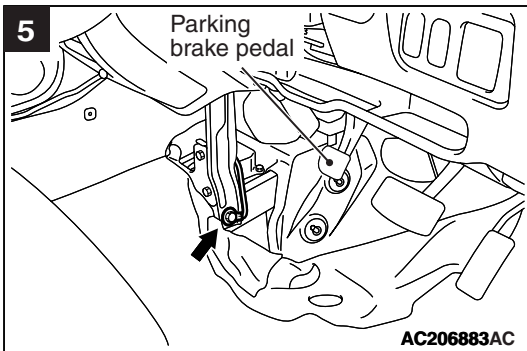
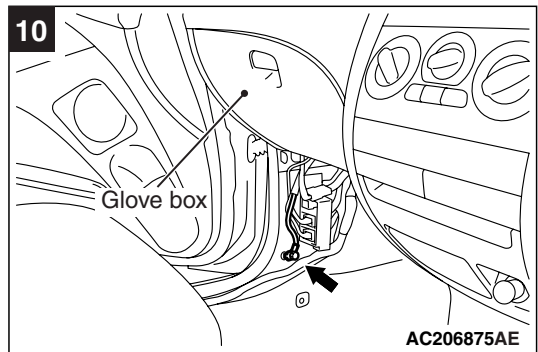
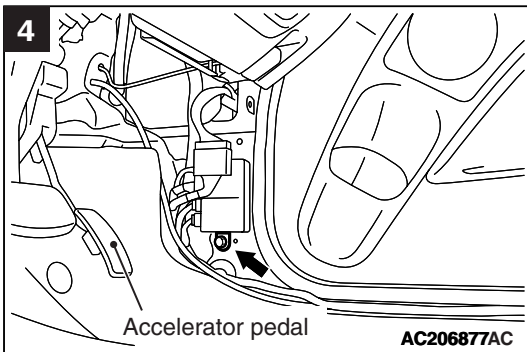
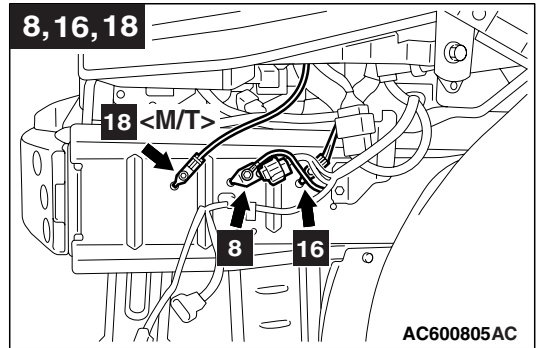
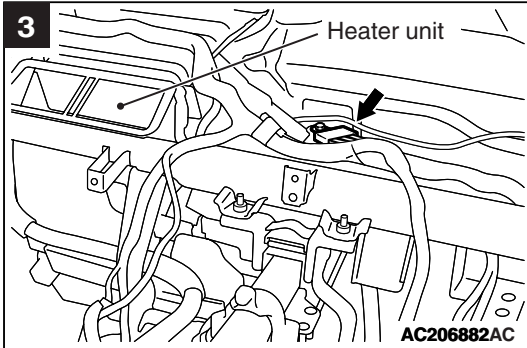
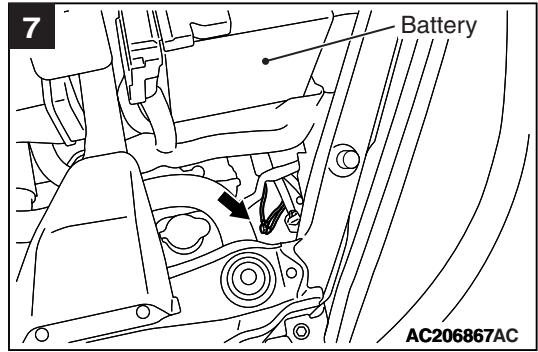
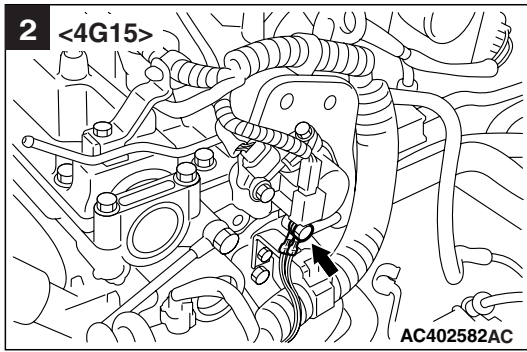
M1701000300975

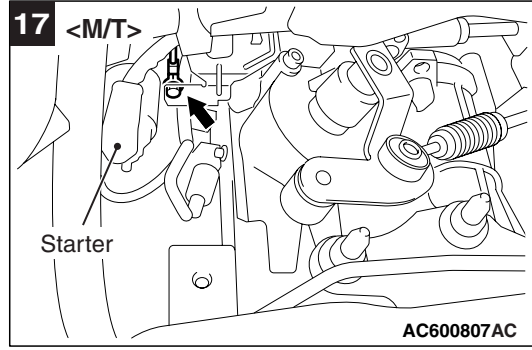
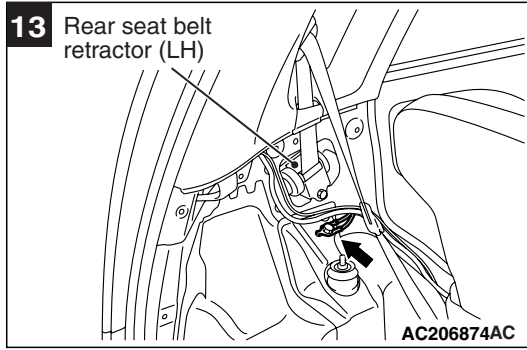


AC600827AB

NOTE: Same earth numbers are used in the circuit diagram.



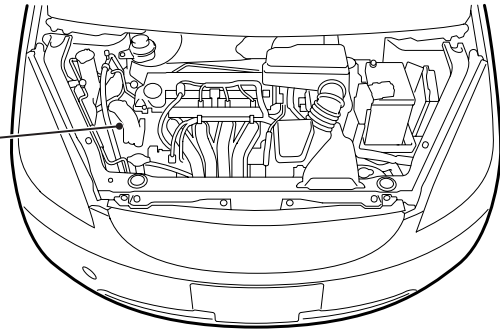
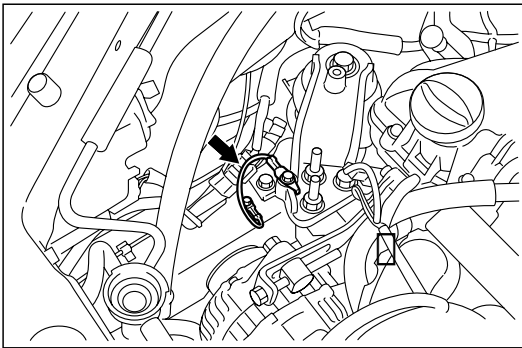




## EARTH CABLE

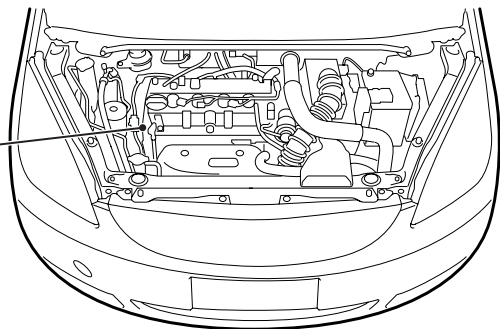
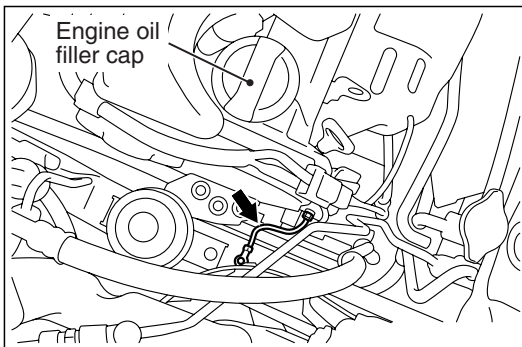
M1701001000557

<4A91>



AC40552AB

<4G15>



AC40553AB